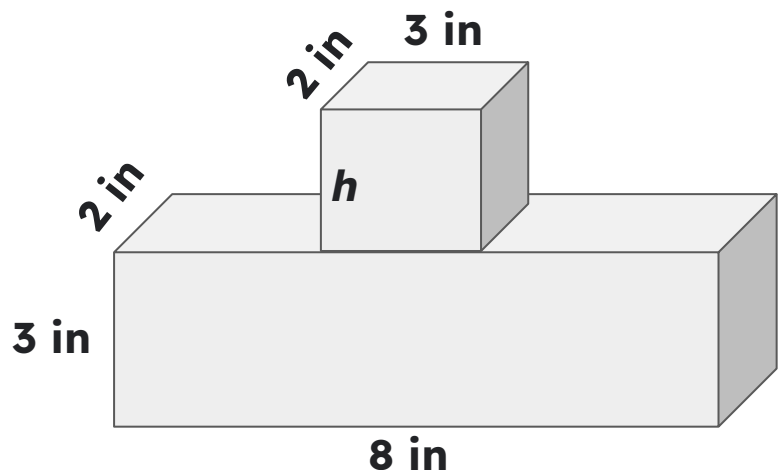


Volume of Chess Trophies

Fiona is creating chess trophies by combining cubes and rectangular prisms. Help Fiona design these trophies.

1. The total volume of this trophy must be 60 cubic inches. What is the height of the upper part of the trophy?

$$h = \underline{\quad} \text{ inches}$$



2. This trophy has 4 identical cubes attached to a rectangular prism. The total volume of the trophy must be 72 cubic inches. Find the volume of each cube.

$$\begin{aligned} \text{Volume of each cube} \\ = \underline{\quad} \text{ cubic inches} \end{aligned}$$

