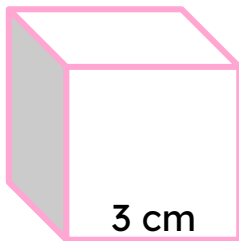
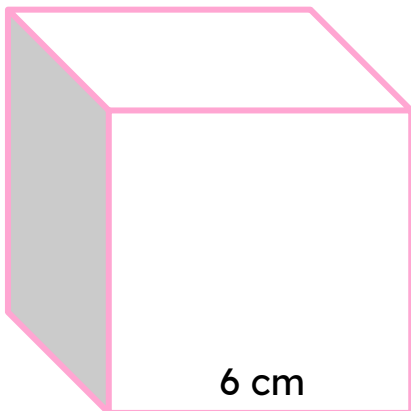


Volume of Cube and Cuboid

Match the cubes with dimensions of cuboid having the same volume.



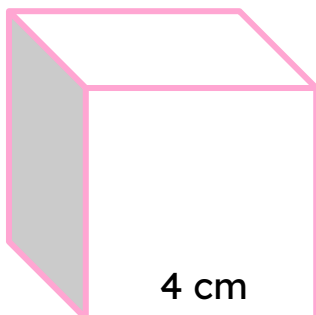
Length = 1 cm
Width = 2 cm
Height = 4 cm



Length = 9 cm
Width = 1 cm
Height = 3 cm



Length = 2 cm
Width = 8 cm
Height = 4 cm



Length = 6 cm
Width = 9 cm
Height = 4 cm

